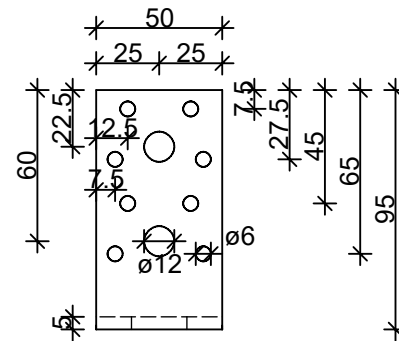
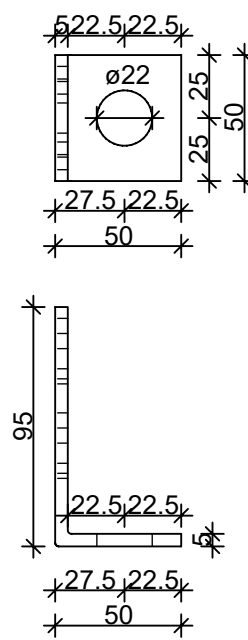
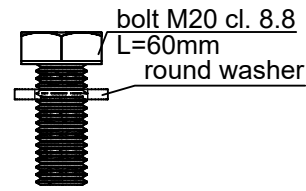
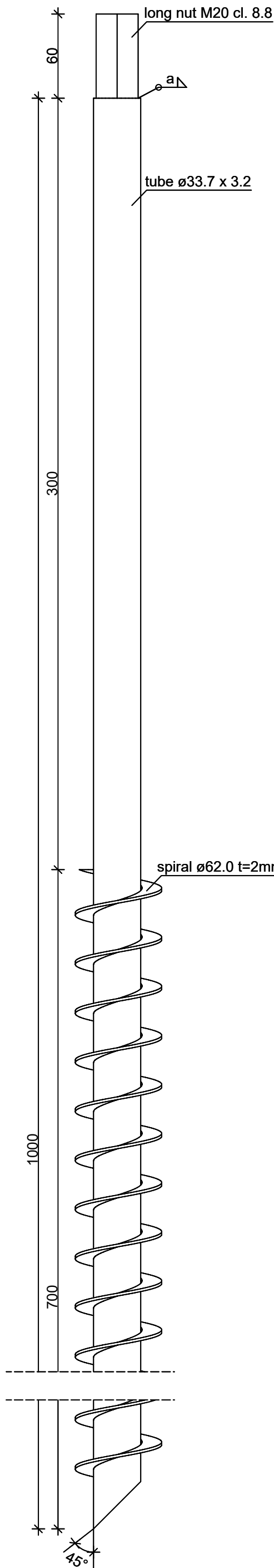
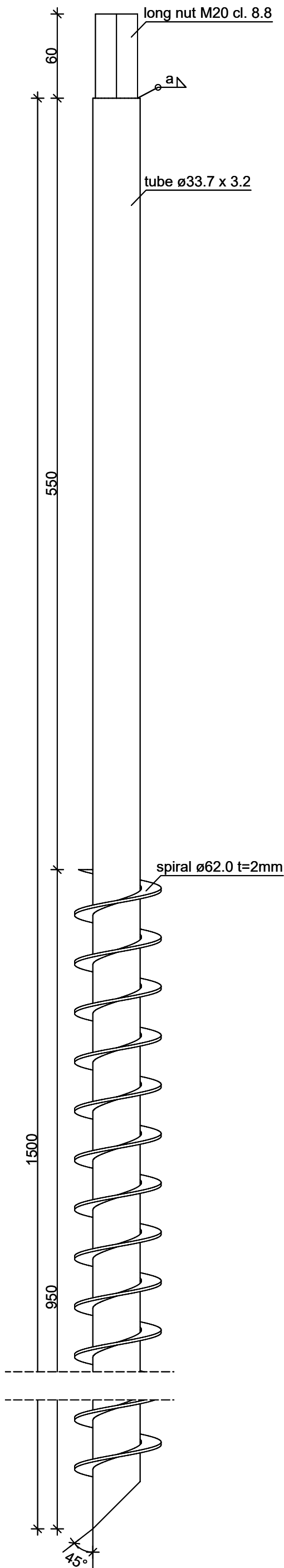


Twister foundation
M20 L=1500mm

Twister foundation
M20 L=1000mm



Design company
GROUNDPLUG® CONFIDENTIAL

Part:	prod. draw.	Number of drawing:	PPT 4	Finish:	HDG acc. to ISO EN 1461	Date:	09.2020
Product/Title:	Twister foundation M20	Material/Steel grade:	S235	Sub-grade:	-	Scale:	1:3
Design:		Signature:		Tolerances acc.to:	PN-EN ISO 9013: 2008	Format:	A3
Check:		Signature:			PN-EN ISO 13920: 2000		
Draw:		Signature:			EXC2		