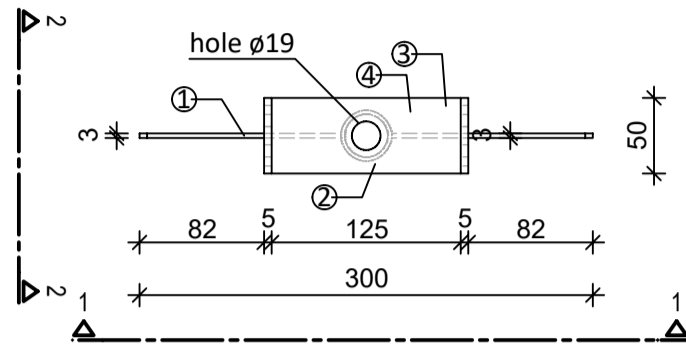
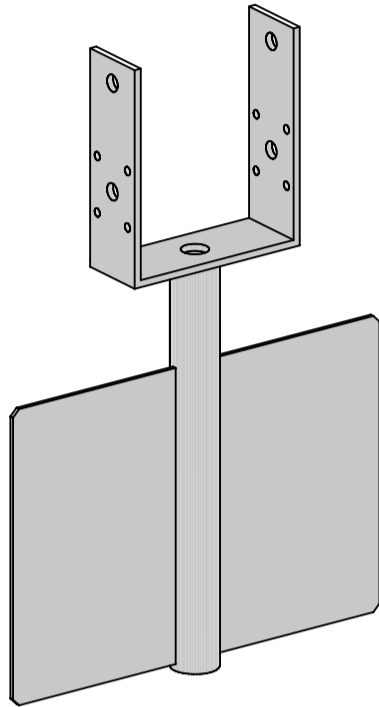
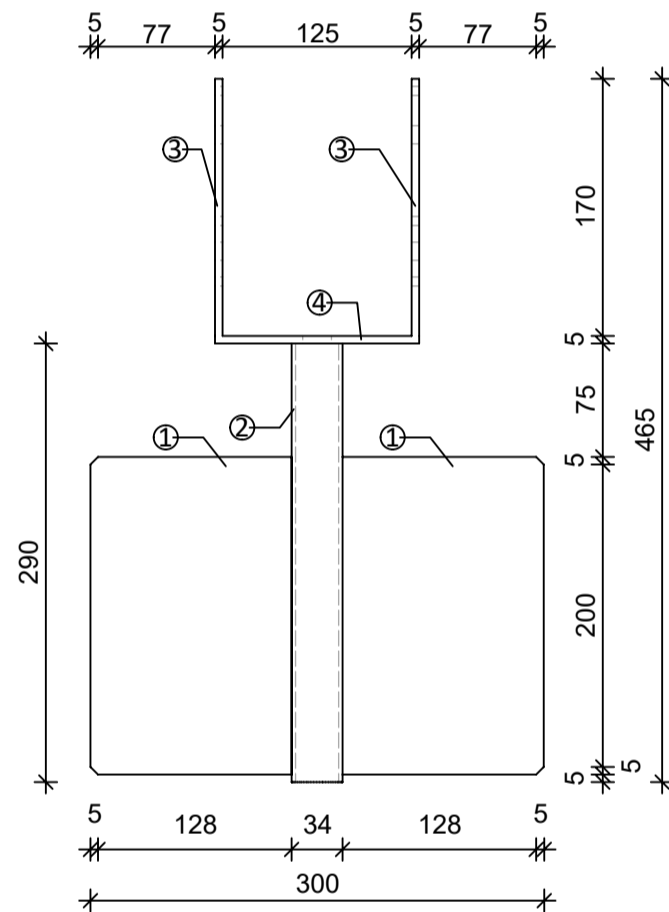


# Post bracket M16/125

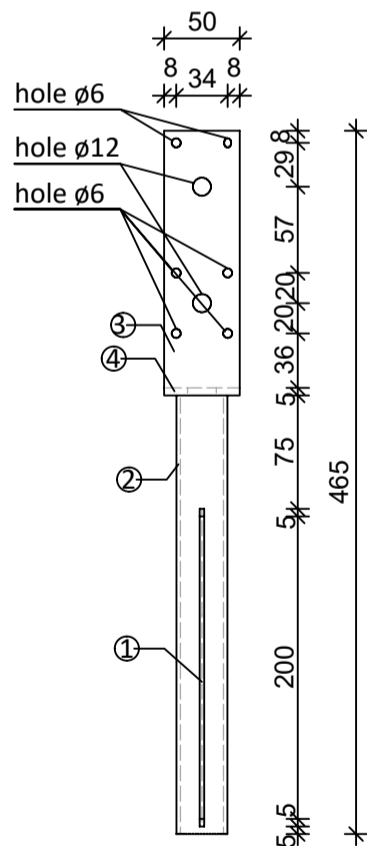
3D view



1 - 1



2 - 2



- ① Pl. 133x210x3
- ② CHS 33.7x2,6
- ③ Pl. 170x50x5
- ④ Pl. 135x50x5

Design company				
<b>GROUNDPLUG®</b> CONFIDENTAL				
Part:	prod. draw.	Number of drawing:	PPT 7	Finish HDG acc. to ISO EN 1461
Product/Title:	Post bracket M16/125	Material/Steel grade:	S235	Date: 08.2020
Design:		Sub-grade:	-	Scale: 1:5
Check:		Tolerances acc.to:	PN-EN ISO 9013: 2008	Format: A3
Draw:		Signature:	PN-EN ISO 13920: 2000	
		Signature:	EXC2	